

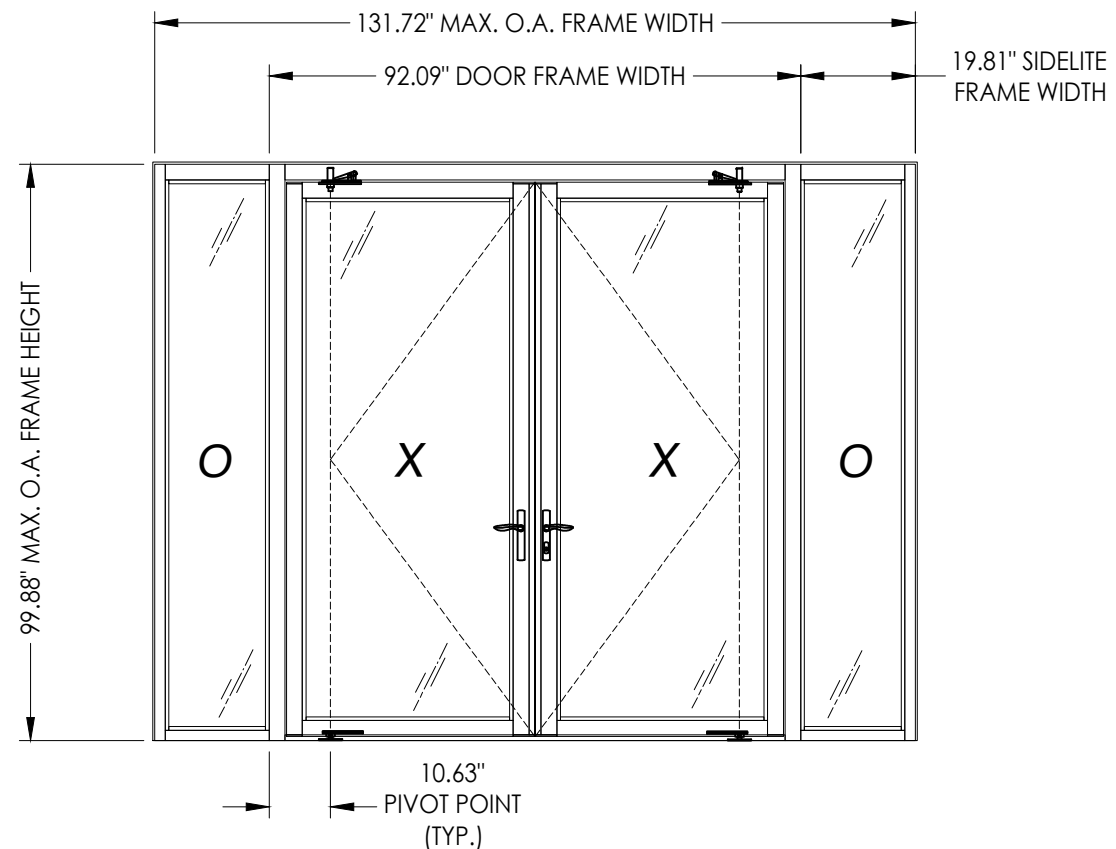
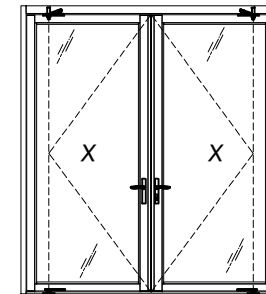


"VERIS V3" GLAZED ALUMINUM PIVOT DOOR DOUBLE w/ or w/out SIDELITES OUTSWING "NON-IMPACT"

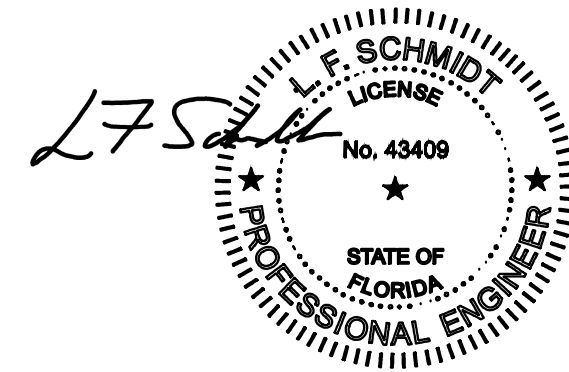
GENERAL NOTES

1. This product has been evaluated and is in compliance with the 8th Edition (2023) Florida Building Code (FBC) structural requirements excluding the "High Velocity Hurricane Zone" (HVHZ).
2. Product anchors shall be as listed and spaced as shown on details. Anchor embedment to base material shall be beyond wall dressing or stucco.
3. When used in areas requiring wind borne debris protection, this product is required to be protected with an impact resistant covering that complies with FBC Sections 1609.1.2 & R301.2.1.2.
4. For 2x stud framing construction, anchoring of these units shall be the same as that shown for 2x buck masonry construction.
5. Site conditions that deviate from the details of this drawing require further engineering analysis by a licensed engineer or registered architect.

TABLE OF CONTENTS	
SHEET #	DESCRIPTION
1	Typical Elevations, Design Pressures & General Notes
2	Door & Sidelite Panels & Glazing Details
3	Elevations
4	Horizontal & Vertical Cross Sections (2X Buck)
5	Horizontal & Vertical Cross Sections (1X Buck)
6	Horizontal & Vertical Cross Sections (Direct to Masonry)
7	Horizontal Cross Sections
8	Vertical Cross Sections
9	Buck Anchoring
10	Frame Anchoring
11	Bill of Materials & Components



CONFIGURATION	MAX. FRAME DIMENSION	DOOR MAX. D.L.O.	SIDELITE MAX. D.L.O.	DESIGN PRESSURE (PSF)	
				POSITIVE	NEGATIVE
OXXO	131.72" x 99.88"	35.25" X 89.25"	16.75" X 94.06"	+50.0	-50.0
XX	90.22" x 99.88"	35.25" X 89.25"	N/A	+50.0	-50.0



This item has been digitally signed and sealed by L. F. Schmidt, P.E. on the date adjacent to the seal. Printed copies of this document are not considered signed and sealed and the signature must be verified on any electronic copies.

THIS PRODUCT APPROVAL IS VALID ONLY FOR THE STATE OF FLORIDA

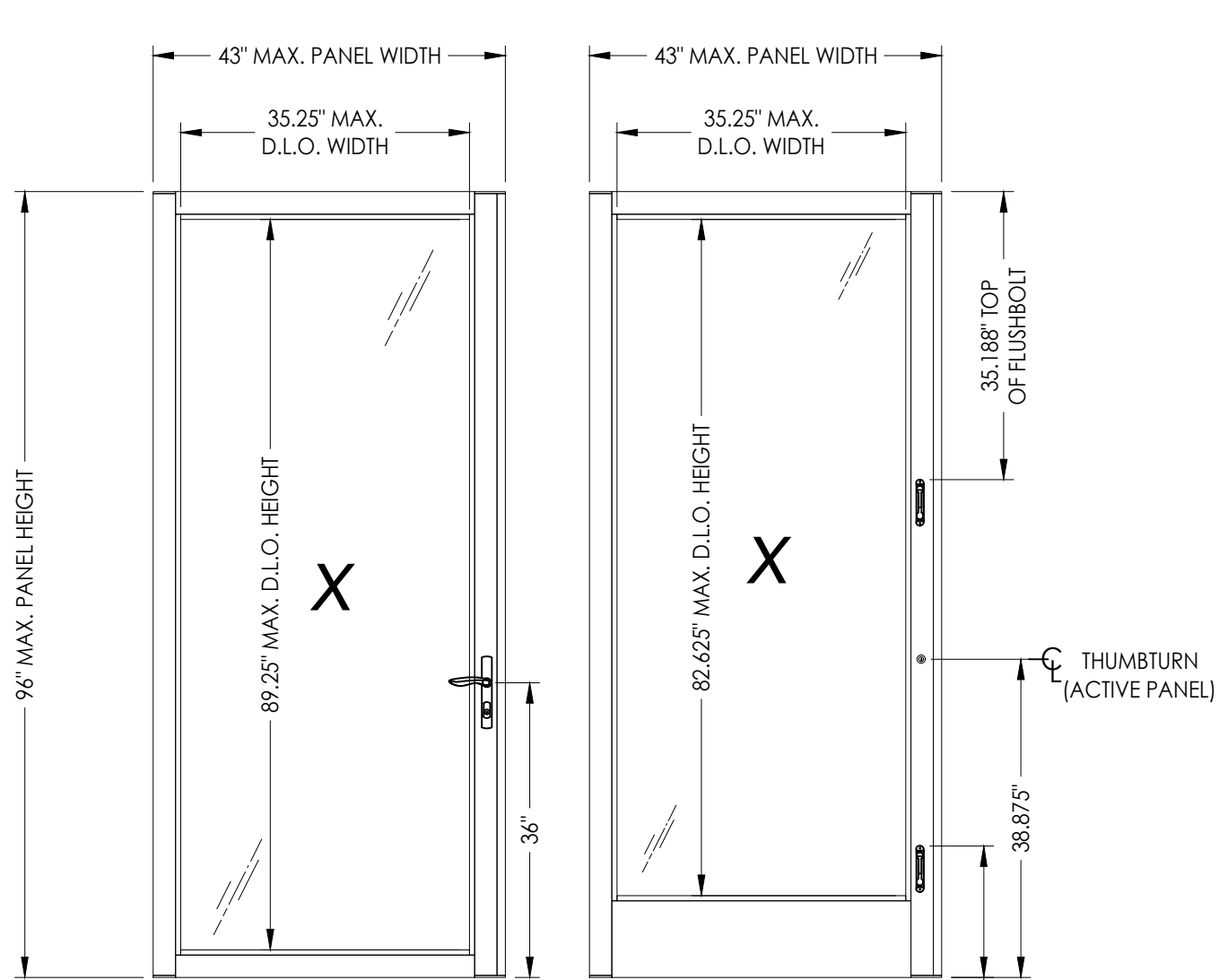
Documents Prepared By:
Lyndon F. Schmidt
P.E. No. 43409

RW BUILDING CONSULTANTS, INC.
P.O. Box 230, Valrico, FL 33595
Phone No.: 813.659.9197
FBPE Registry No. 9813

PRODUCT: THERMA TRU
PART OR ASSEMBLY: TYPICAL ELEVATION, DESIGN PRESSURES & GENERAL NOTES

NO.	DATE	BY	REVISIONS

DATE: 2/07/24
SCALE: N.T.S.
DWG. BY: LFS
CHK. BY: RW
DRAWING NO.: FL-46173.2
SHEET 1 OF 11



DOOR PANEL

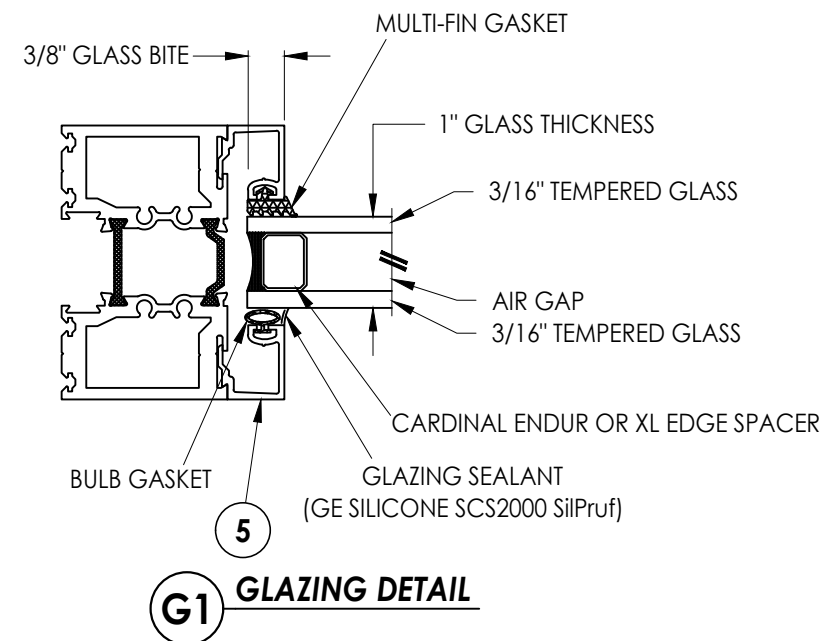
DOOR PANEL

SIDELITE PANEL

16.063" TOP OF FLUSHBOLT

THUMBTURN (ACTIVE PANEL)

HARDWARE TABLE	
MANUFACTURER	MODEL
HOPPE	HOPPE HLS9000 ACTIVE: LEVER w/ 3 pt. LOCK INACTIVE: LEVER w/ 2 pt. LOCK
ADAMS RITE	ACTIVE: THUMBTURN & KEYED CYLINDER MS+ 1890 SERIES DEADBOLT
TERRY HINGE & HARDWARE	ACTIVE & INACTIVE: FLUSHBOLTS



G1 GLAZING DETAIL

Documents Prepared By:
Lyndon F. Schmidt
P.E. No. 43409

RW BUILDING CONSULTANTS, INC.
P.O. Box 230, Valrico, FL 33595
Phone No.: 813.659.9197
FBPE Registry No. 9813

PRODUCT: THERMA-TRU

PART OR ASSEMBLY:
DOOR & SIDELITE PANELS & GLAZING DETAILS

NO.	DATE	BY	REVISIONS

DATE: 2/07/24

SCALE: N.T.S.

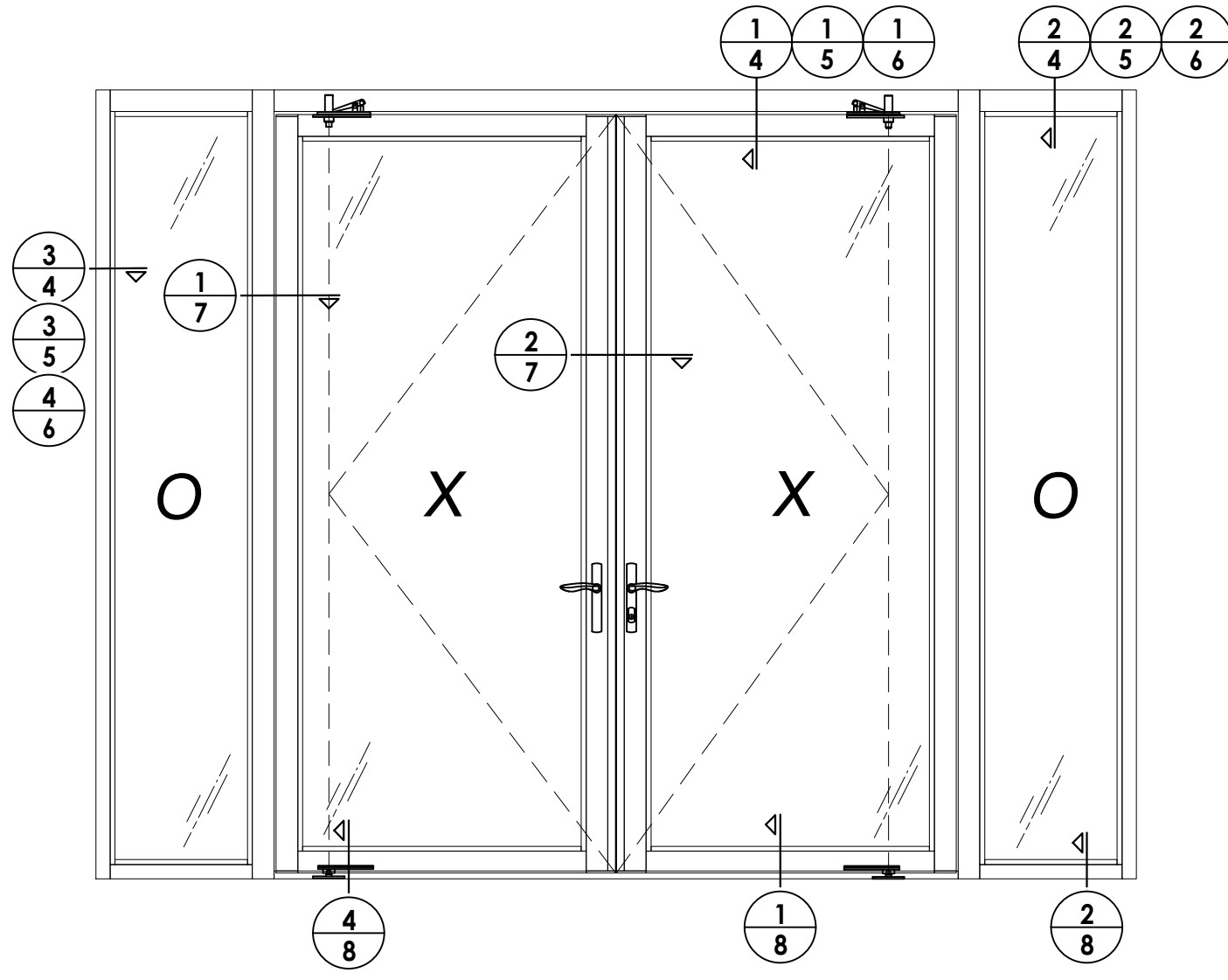
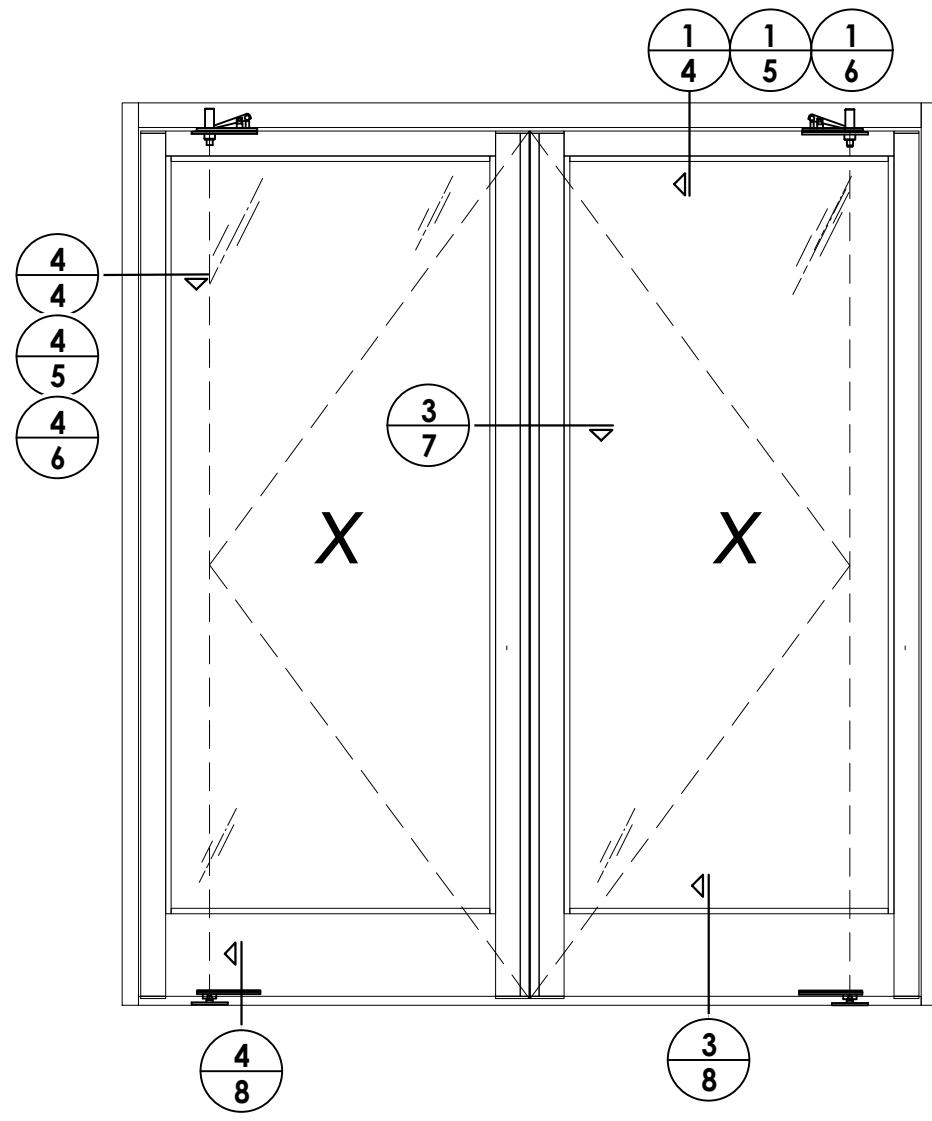
DWG. BY: LFS

CHK. BY: RW

DRAWING NO.:

FL-46173.2

SHEET 2 of 11

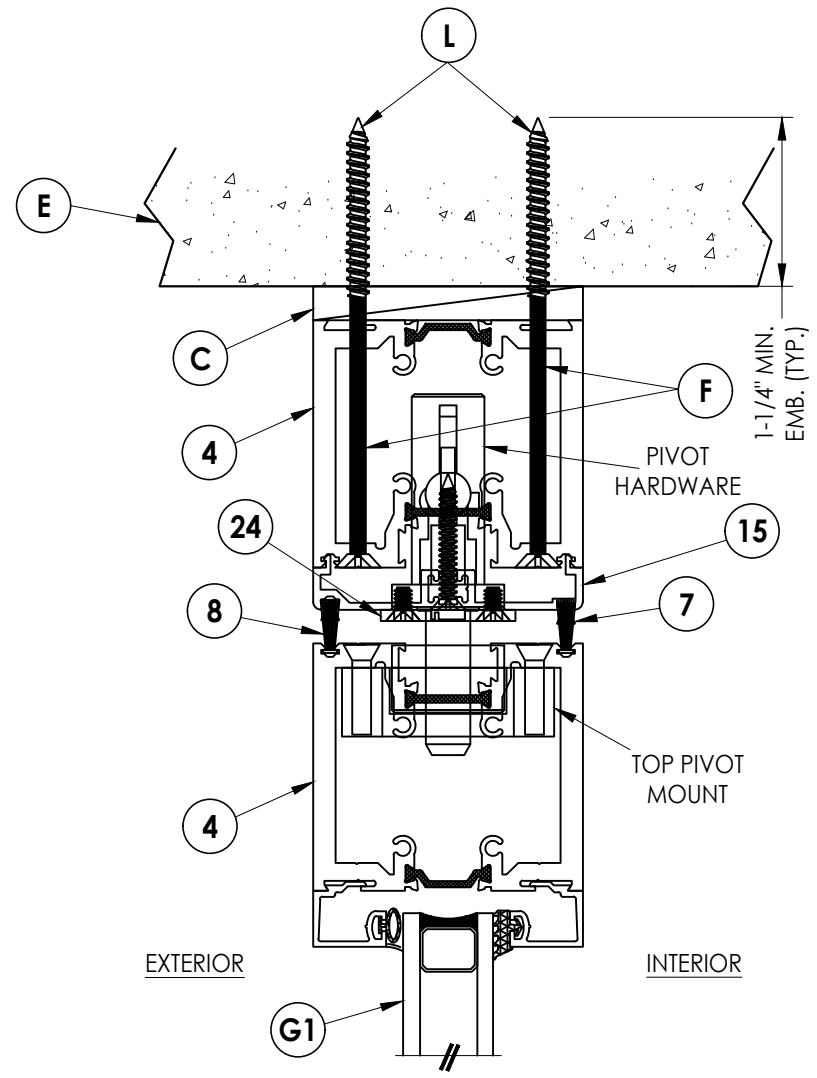


DATE: 2/07/24
 SCALE: N.T.S.
 DWG. BY: LFS
 CHK. BY: RW
 DRAWING NO.: FL-46173.2
 SHEET 3 OF 11

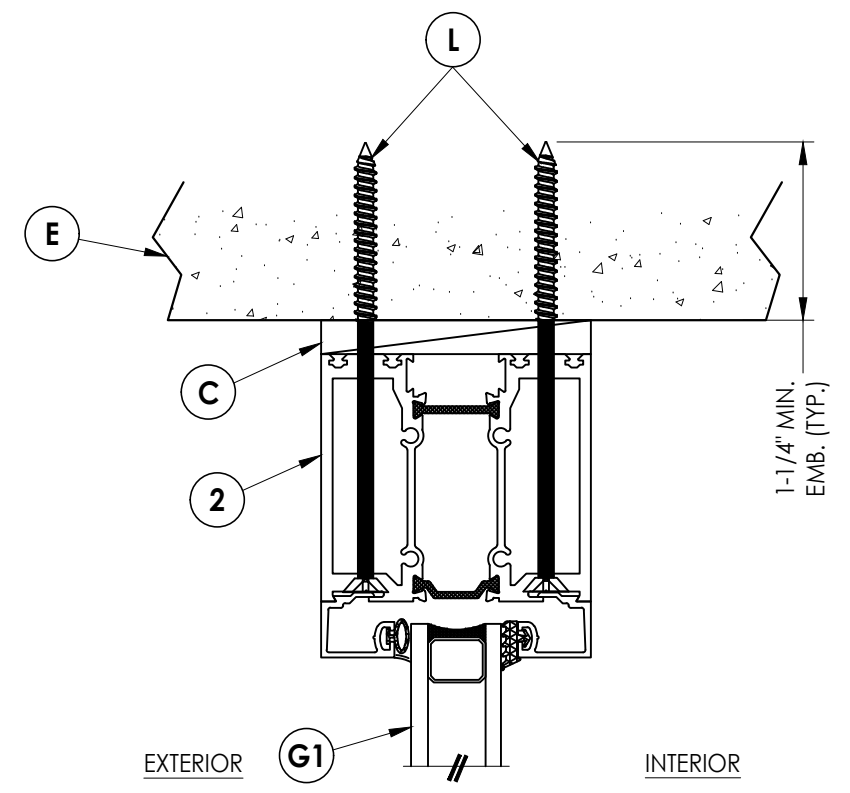
NO.	DATE	BY	REVISIONS

PRODUCT: THERMA-TRU
 PART OR ASSEMBLY: ELEVATIONS

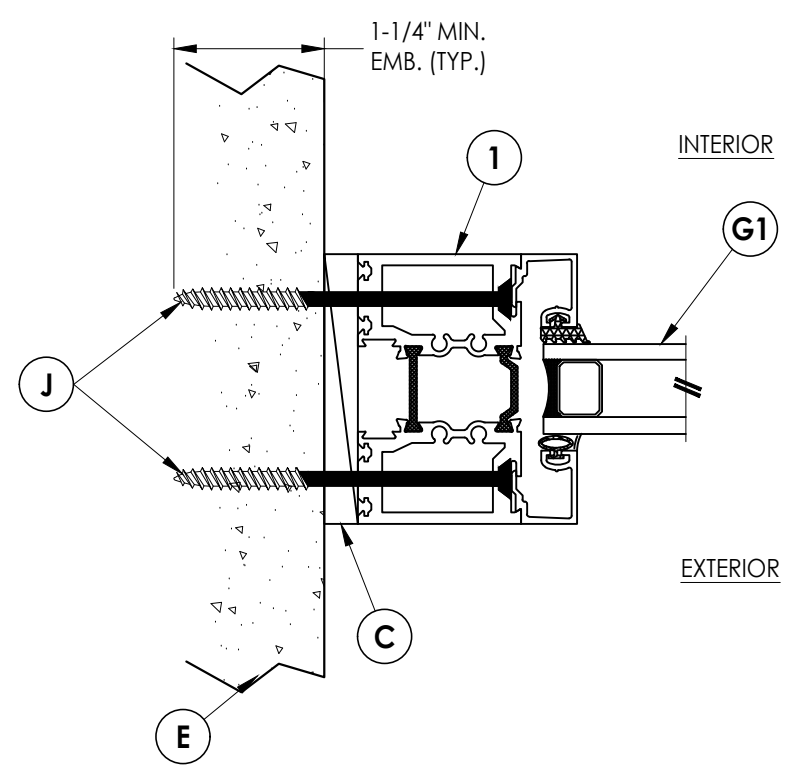
Documents Prepared By:
 Lyndon F. Schmidt
 P.E. No. 43409
 RW BUILDING CONSULTANTS, INC.
 P.O. Box 230, Vairico, FL 33595
 Phone No.: 813.659.9197
 FBPE Registry No. 9813



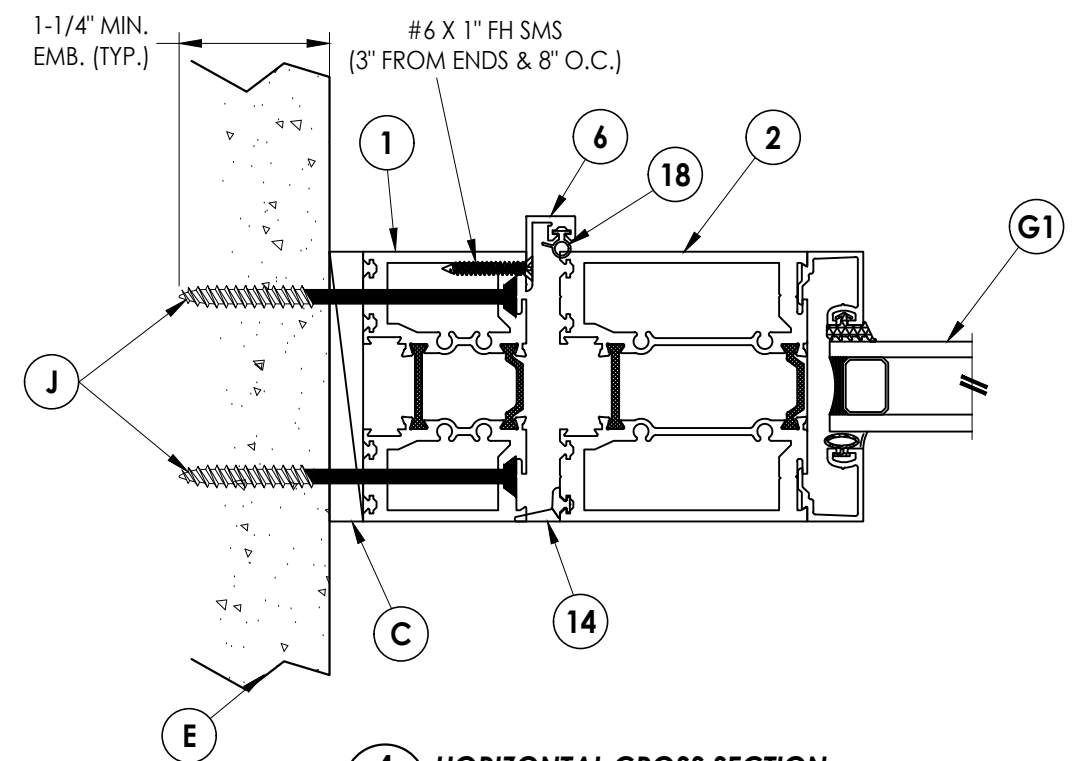
1
6 **VERTICAL CROSS SECTION**
Shown Direct to Masonry



2
6 **VERTICAL CROSS SECTION**
Shown Direct to Masonry



3
6 **HORIZONTAL CROSS SECTION**
Shown Direct to Masonry



4
6 **HORIZONTAL CROSS SECTION**
Shown Direct to Masonry

Documents Prepared By:
Lyndon F. Schmidt
P.E. No. 43409

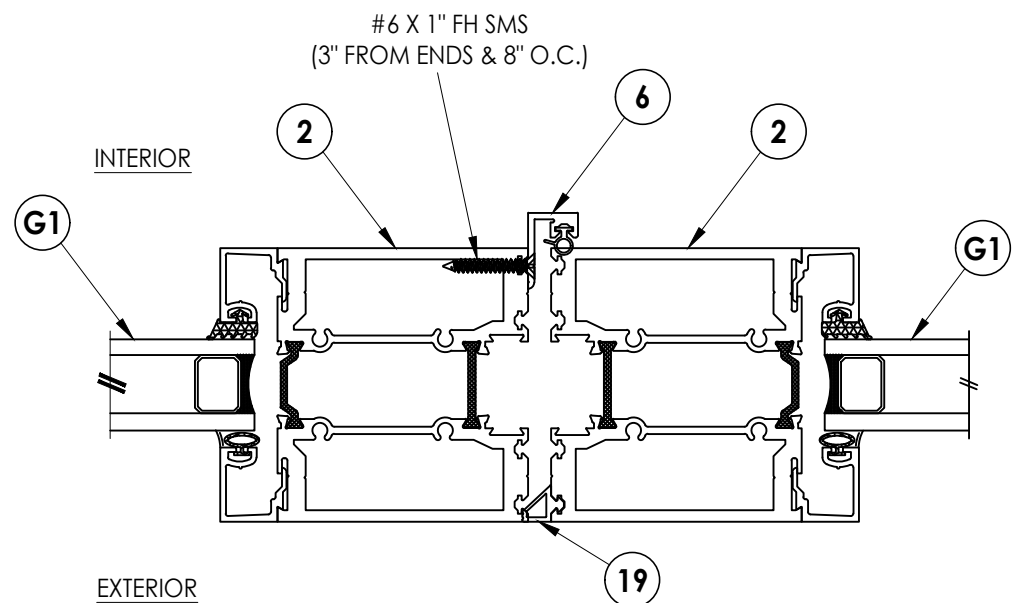
RW BUILDING CONSULTANTS, INC.
P.O. Box 230, Valrico, FL 33595
Phone No.: 813.659.9197
FBPE Registry No. 9813

PRODUCT: THERMA-TRU

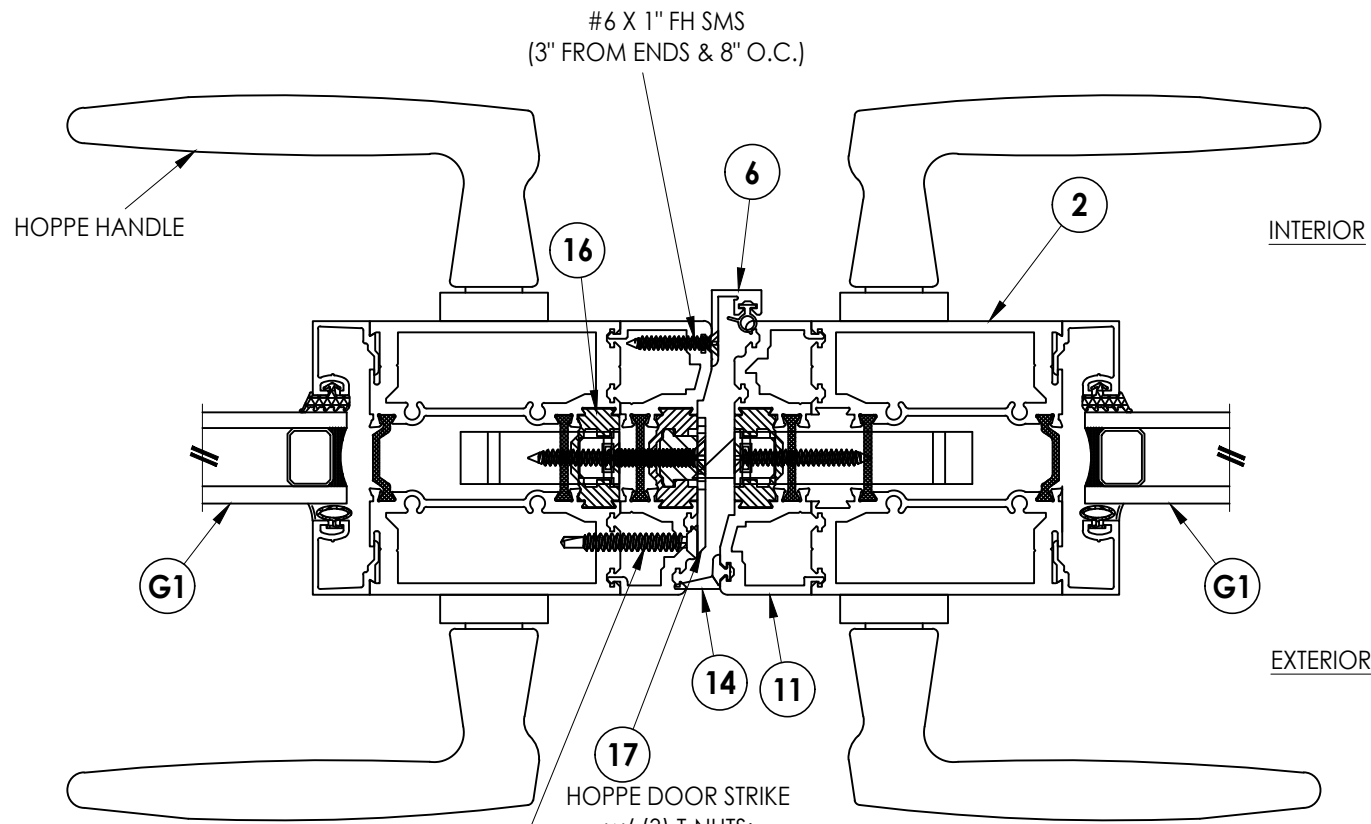
PART OR ASSEMBLY:
HORIZONTAL & VERTICAL
CROSS SECTIONS (1X BUCK)

NO.	DATE	BY

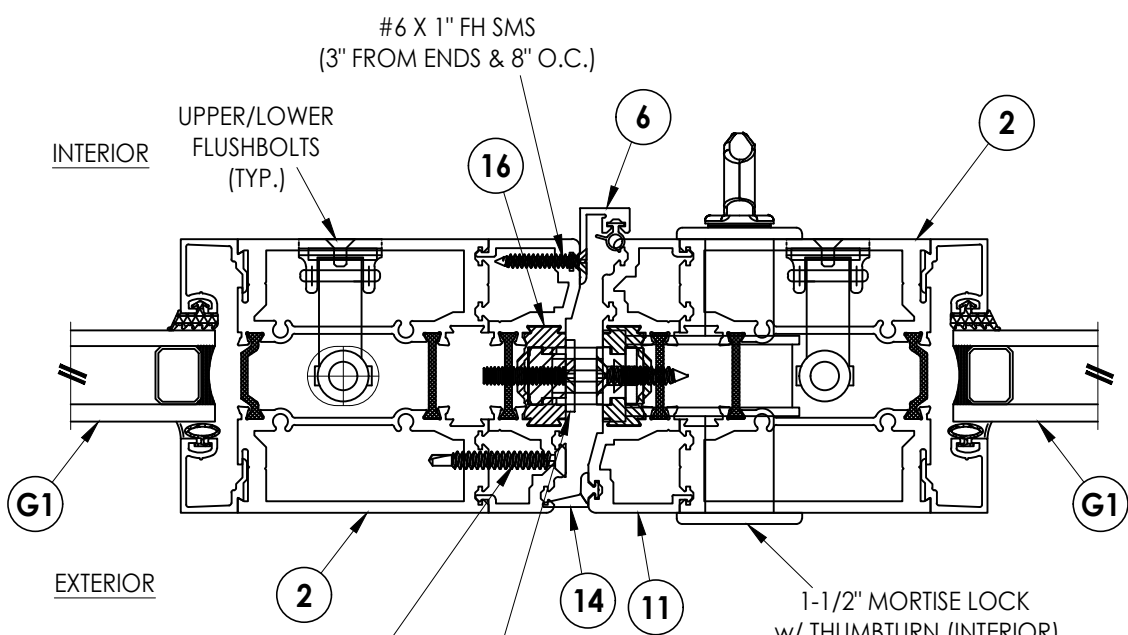
DATE: 2/07/24
SCALE: N.T.S.
DWG. BY: LFS
CHK. BY: RW
DRAWING NO.: FL-46173.2
SHEET 6 OF 11



1
7 **HORIZONTAL CROSS SECTION**



2
7 **HORIZONTAL CROSS SECTION**



3
7 **HORIZONTAL CROSS SECTION**

(5) #10 X 1-1/2" TEK SCREWS
6" FROM ENDS, @ 3" ABOVE &
BELOW STRIKE PLUS @
CENTERLINE

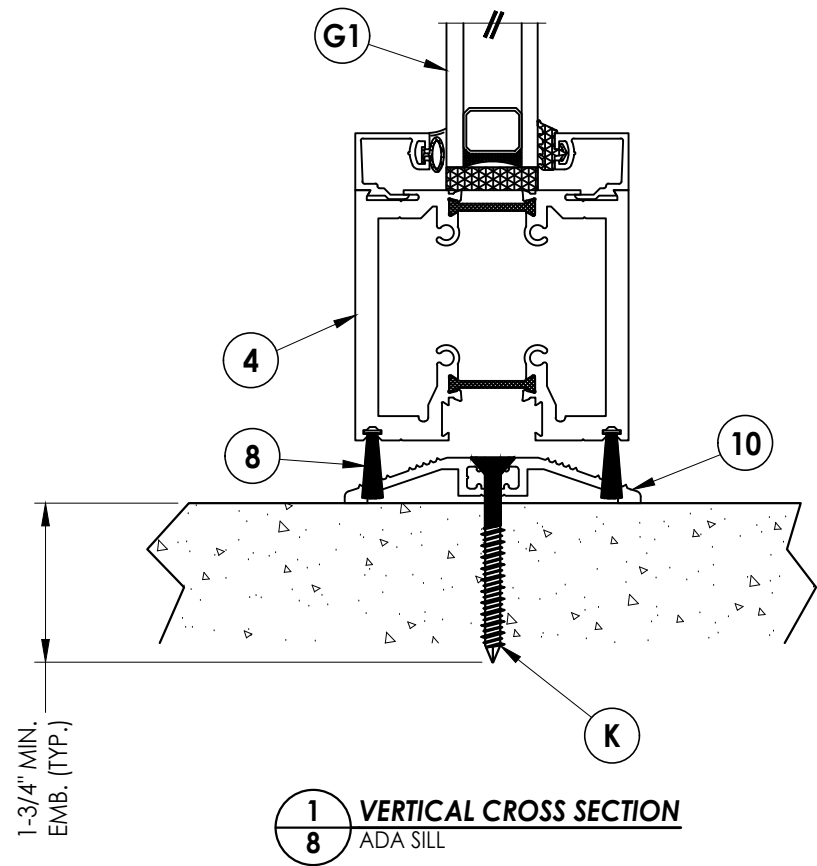
Documents Prepared By:
Lyndon F. Schmidt
P.E. No. 43409

RW BUILDING CONSULTANTS, INC.
P.O. Box 230, Vairico, FL 33595
Phone No.: 813.659.9197
FBPE Registry No. 9813

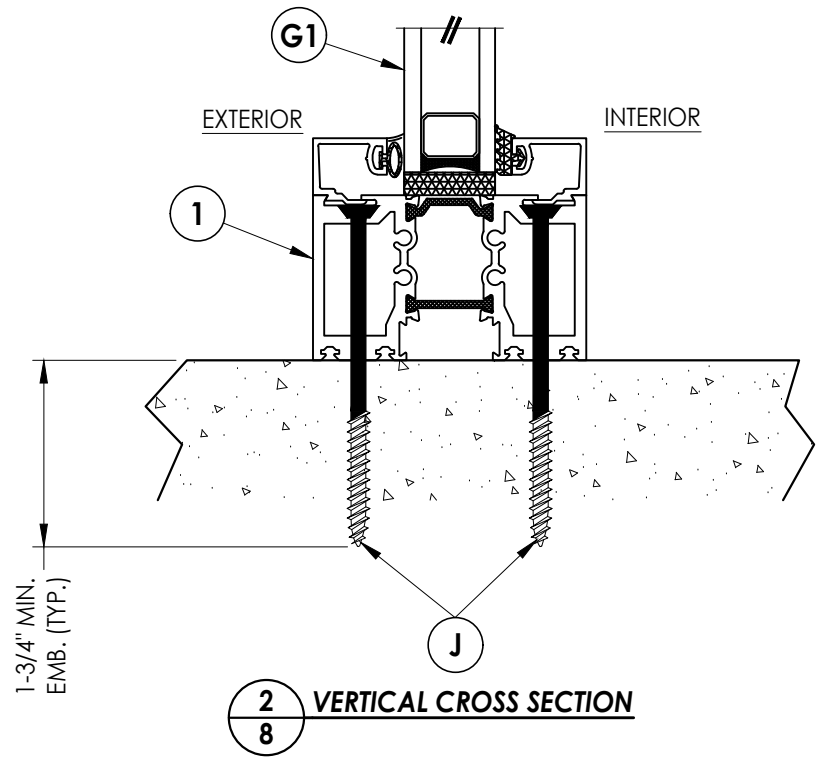
PRODUCT:	THERMA-TRU
PART OR ASSEMBLY:	HORIZONTAL CROSS SECTIONS

NO.	DATE	BY	REVISIONS

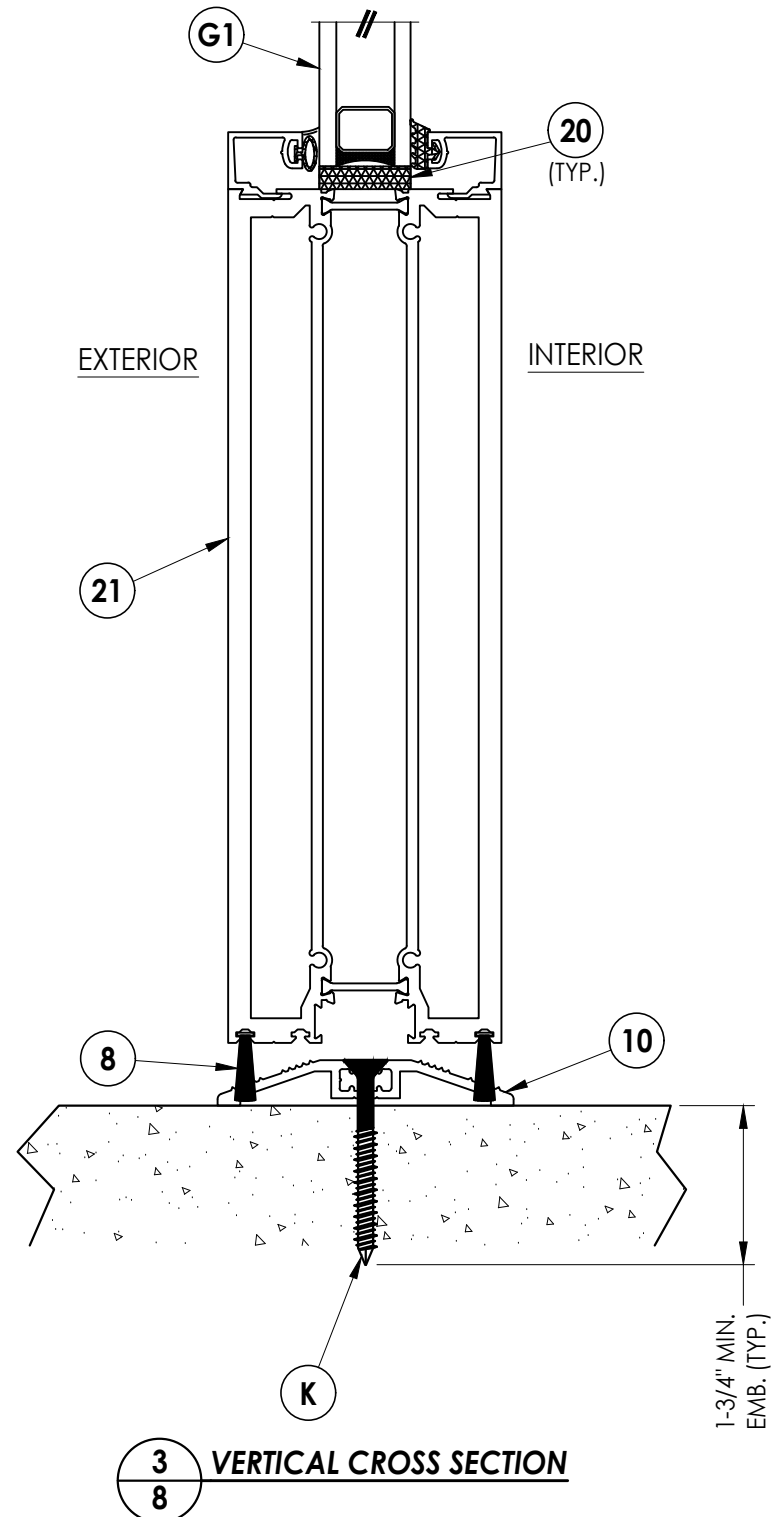
DATE: 2/07/24
SCALE: N.T.S.
DWG. BY: LFS
CHK. BY: RW
DRAWING NO.: FL-46173.2
SHEET 7 OF 11



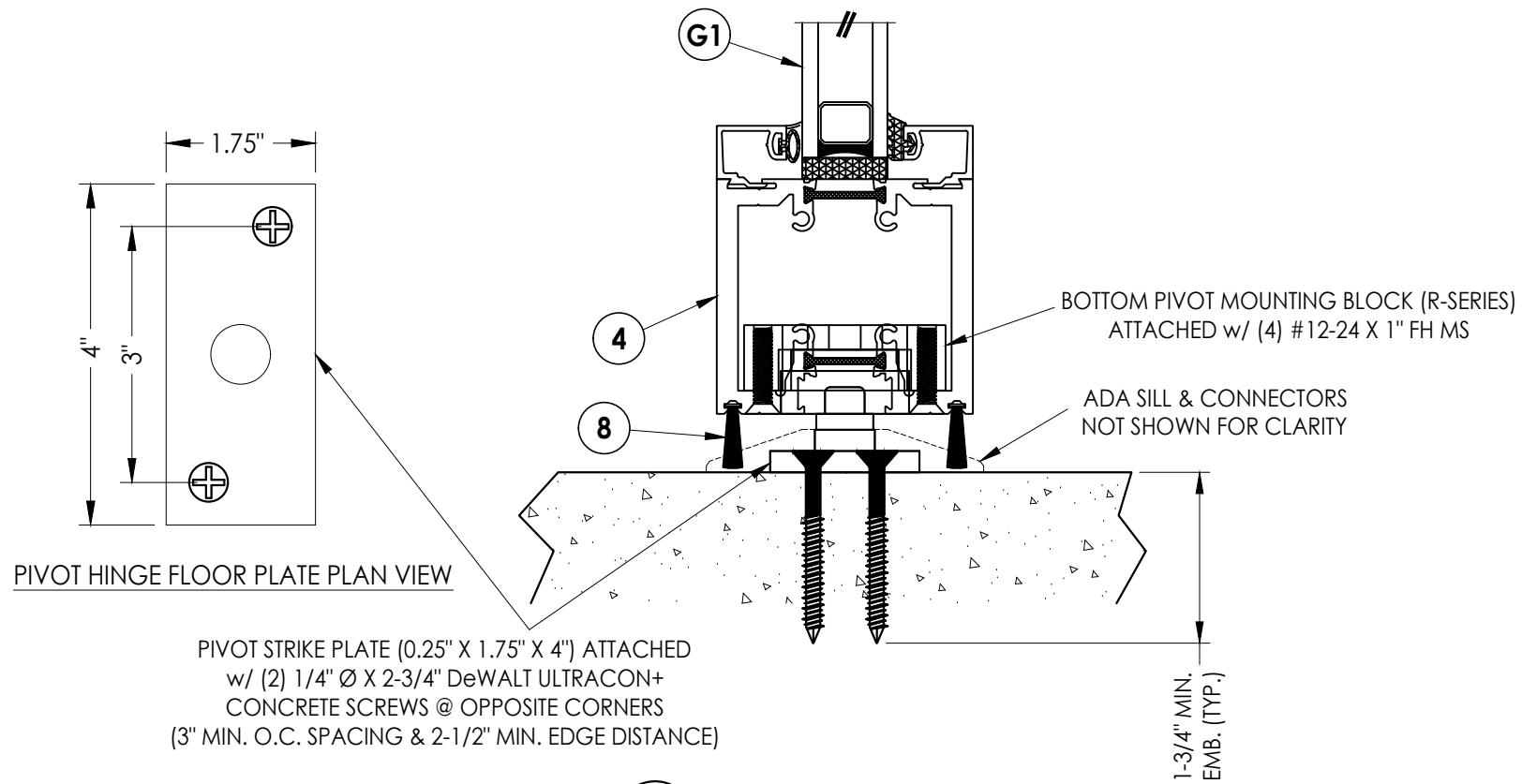
1
8 VERTICAL CROSS SECTION
ADA SILL



2
8 VERTICAL CROSS SECTION



3
8 VERTICAL CROSS SECTION



PIVOT HINGE FLOOR PLATE PLAN VIEW

PIVOT STRIKE PLATE (0.25" X 1.75" X 4") ATTACHED
w/ (2) 1/4" Ø X 2-3/4" DeWALT ULTRA CON+
CONCRETE SCREWS @ OPPOSITE CORNERS
(3" MIN. O.C. SPACING & 2-1/2" MIN. EDGE DISTANCE)

4
8 VERTICAL CROSS SECTION
@ PIVOT STRIKE

BOTTOM PIVOT MOUNTING BLOCK (R-SERIES)
ATTACHED w/ (4) #12-24 X 1" FH MS
ADA SILL & CONNECTORS
NOT SHOWN FOR CLARITY

Documents Prepared By:
Lyndon F. Schmidt
P.E. No. 43409

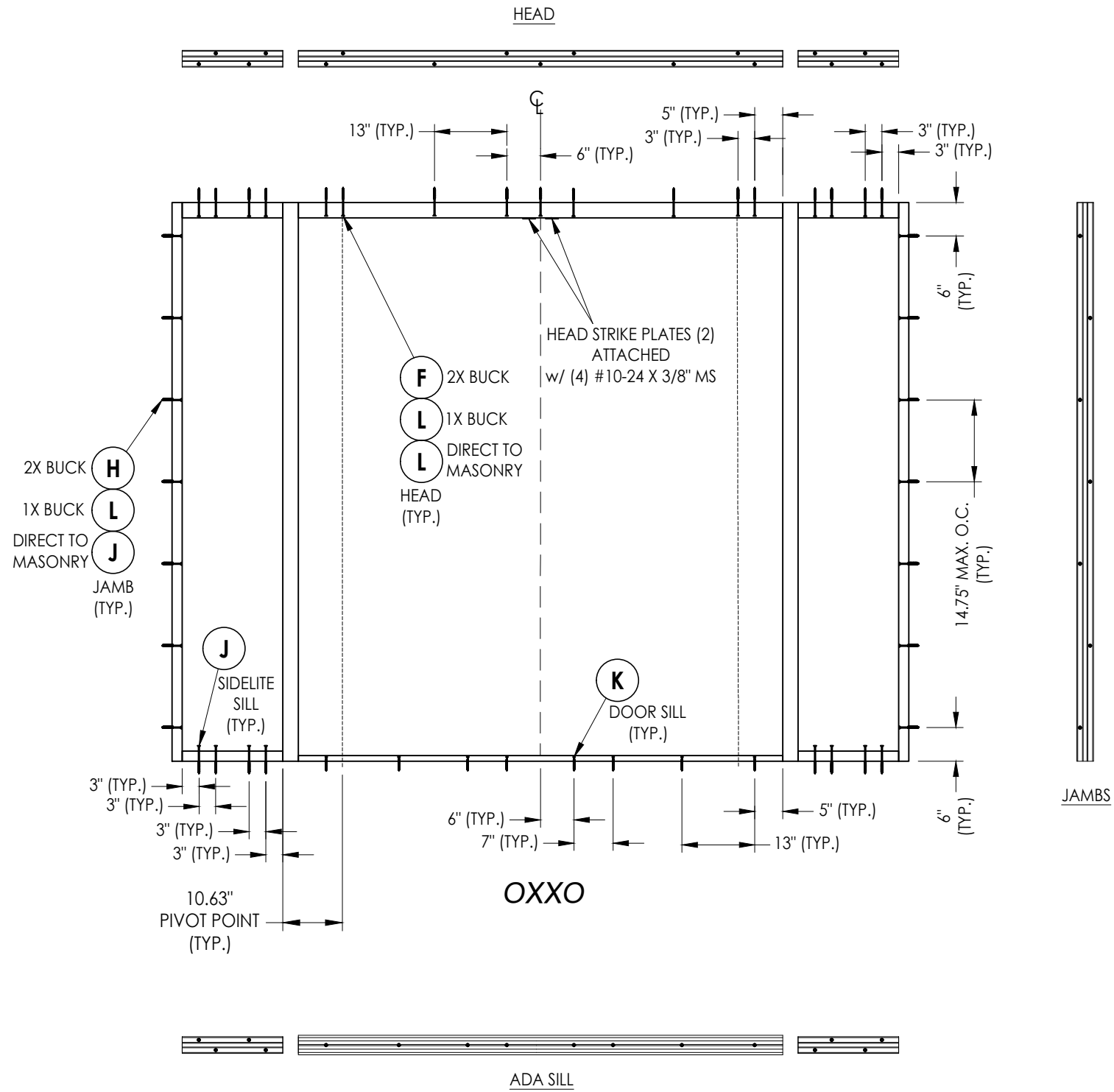
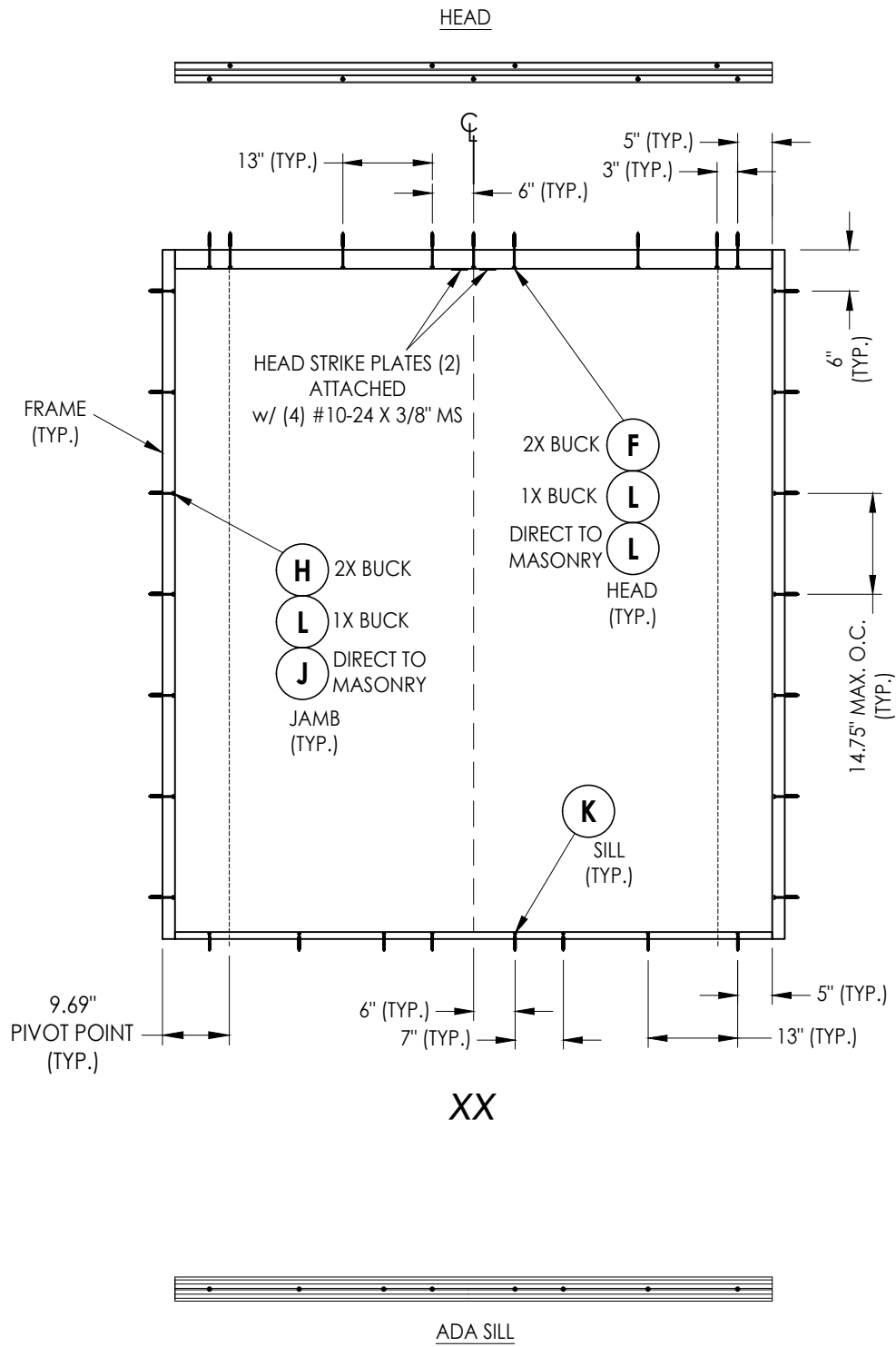
RW BUILDING CONSULTANTS, INC.
P.O. Box 230, Valrico, FL 33595
Phone No.: 813.659.9197
FBPE Registry No. 9813

PRODUCT:	THERMA-TRU
PART OR ASSEMBLY:	VERTICAL CROSS SECTIONS

NO.	DATE	BY

DATE:	2/07/24
SCALE:	N.T.S.
DWG. BY:	JK
CHK. BY:	RW
DRAWING NO.:	FL-46173.2
SHEET	8 OF 11

NOTE: ALL ANCHORS SHOWN ARE STAGGERED EXCEPT FOR THE ADA SILL ANCHORS (SEE CROSS-SECTIONS)



FRAME ANCHORING

Documents Prepared By:
Lyndon F. Schmidt
P.E. No. 43409

RW BUILDING CONSULTANTS, INC.
P.O. Box 230, Valrico, FL 33595
Phone No.: 813.659.9197
FBPE Registry No. 9813

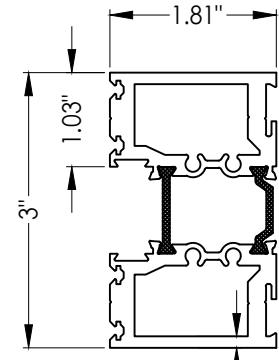
PRODUCT: THERMA TRU
PART OR ASSEMBLY: FRAME ANCHORING

NO.	DATE	BY

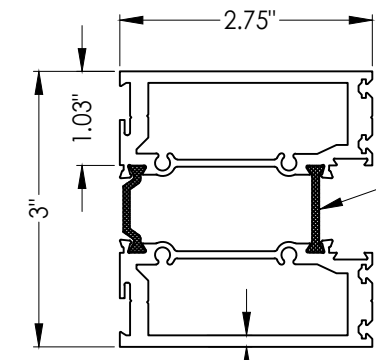
DATE: 2/07/24
SCALE: N.T.S.
DWG. BY: JK
CHK. BY: RW
DRAWING NO.: FL-46173.2
SHEET 10 of 11

BILL OF MATERIALS

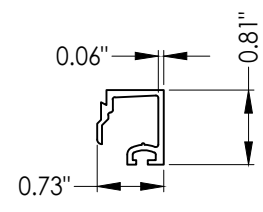
ITEM	DESCRIPTION	MATERIAL
A	1X BUCK (SG >= 0.42)	WOOD
B	2X BUCK (SG >= 0.42)	WOOD
C	3/8" MAX. SHIM SPACE	-
D	1/4" X 2-3/4" PFH DeWALT OR ITW CONCRETE SCREW	STEEL
E	MASONRY - 3,000 PSI MIN. CONCRETE CONFORMING TO ACI 301 OR HOLLOW BLOCK CONFORMING TO ASTM C90	CONCRETE
F	#14 X 4-1/2" FH SMS (1-1/4" MIN. EMBEDMENT)	S.S.
H	#14 X 3-1/2" FH SMS (1-1/4" MIN. EMBEDMENT)	S.S.
J	1/4" X 3-3/4" PFH DeWALT OR ITW CONCRETE SCREW	STEEL
K	1/4" X 2-1/4" PFH DeWALT OR ITW CONCRETE SCREW	STEEL
L	1/4" X 5" PFH DeWALT OR ITW CONCRETE SCREW	STEEL
1	LT NARROW FRAME	6063-T6 ALUM
2	LT FRAME	6063-T6 ALUM
4	PIVOT FRAME	6063-T6 ALUM
5	1/4" GLASS STOP	6063-T6 ALUM
6	SLIDE-IN DOOR STOP	6063-T5 ALUM
7	FELT WEATHERSTRIP	-
8	3/4" BRUSH WEATHERSTRIP	-
10	ADA SILL	6063-T5 ALUM
11	SWING DOOR ADAPTER	6063-T6 ALUM
14	DOOR SWEEP FOAM GASKET	-
15	DOOR ADAPTER	6063-T6 ALUM
16	16mm EUROGROOVE	-
17	HOPPE DOOR STRIKE	S.S.
18	BULB GASKET	-
19	DOOR GASKET	-
20	SETTING BLOCK	-
21	DOOR BOTTOM PANEL	6063-T5 ALUM
24	STRIKE PLATE (@ HEAD)	S.S.



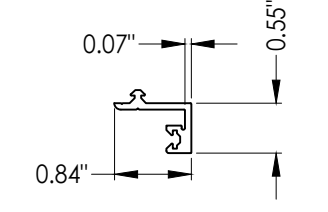
1 LT NARROW FRAME



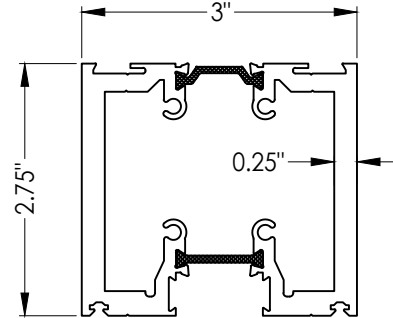
2 LT FRAME



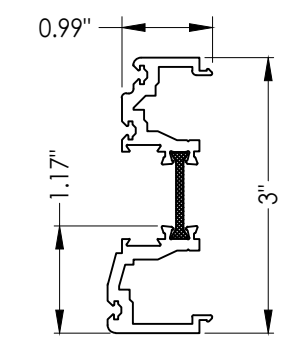
5 1/4" GLASS STOP



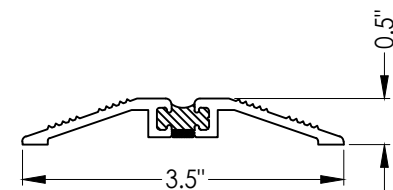
6 SLIDE-IN DOOR STOP



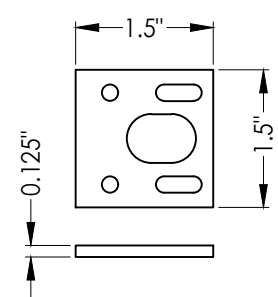
4 PIVOT FRAME



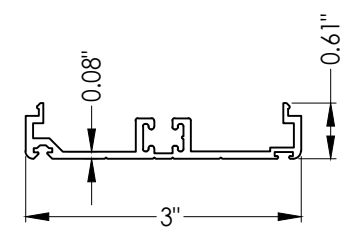
11 SWING DOOR ADAPTER



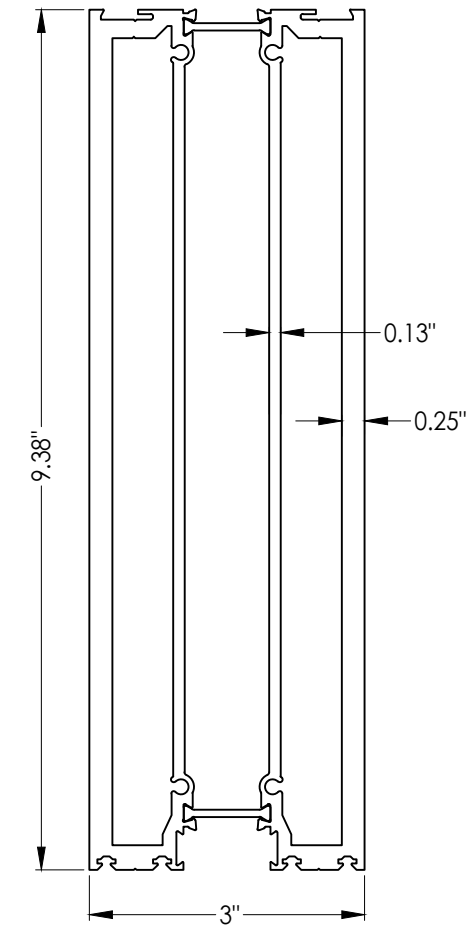
10 ADA SILL



24 STRIKE PLATE @ HEAD



15 DOOR ADAPTER



18 DOOR BOTTOM PANEL

Documents Prepared By:
Lyndon F. Schmidt
P.E. No. 43409

RW BUILDING CONSULTANTS, INC.
P.O. Box 230, Valrico, FL 33595
Phone No.: 813.659.9197
FBPE Registry No. 9813

PRODUCT: THERMA TRU
PART OR ASSEMBLY: BILL OF MATERIAL & COMPONENTS

NO.	DATE	BY	REVISIONS

DATE: 2/07/24
SCALE: N.T.S.
DWG. BY: JK
CHK. BY: RW
DRAWING NO.: FL-46173.2
SHEET 11 OF 11